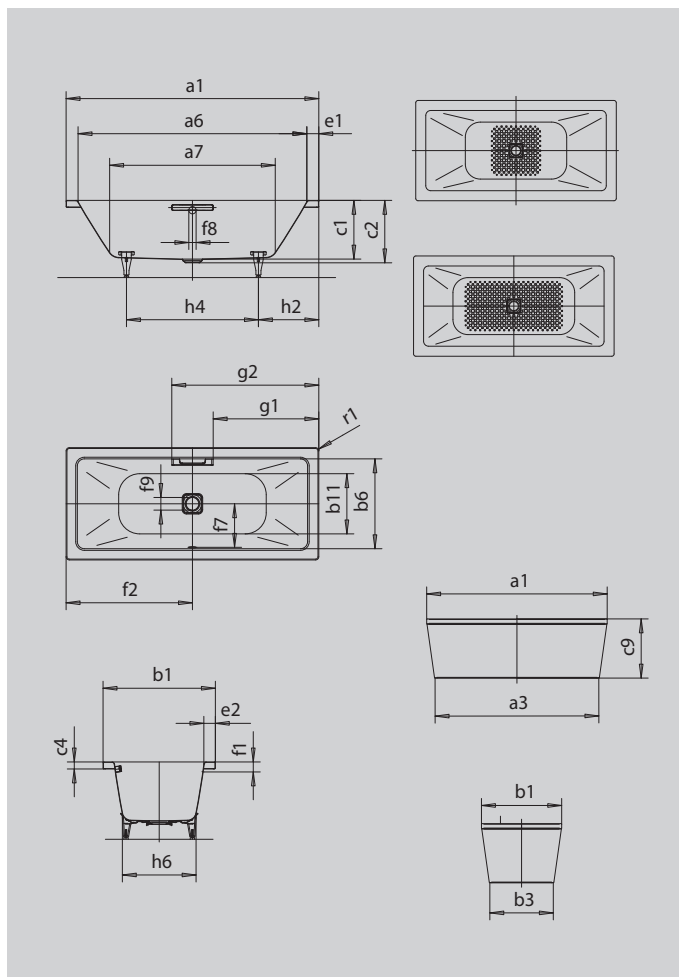


# CONODUO FREESTANDING

- Straight-lined, purist design
- Enamelled waste cover and overflow knob integrated in the bath design (also available with filling function)
- Classic four-cornered model
- The moulded panel emphasises the high design standard and enables the bath to be free-standing
- Bathing with a friend: two identical back rests and centrally positioned waste
- Made of KALDEWEI steel enamel
- Designed by Sottsass Associati



Similar illustration



Model		734-7
External length [mm]	a <sub>1</sub>	1900 mm
External length (bottom) [mm]	a <sub>3</sub>	1733 mm
Internal length (top) [mm]	a <sub>6</sub>	1740 mm
Internal length (bottom) [mm]	a <sub>7</sub>	1280 mm
External width [mm]	b <sub>1</sub>	900 mm
External width (bottom) [mm]	b <sub>3</sub>	733 mm
Internal width (top) [mm]	b <sub>6</sub>	740 mm
Internal width (bottom) [mm]	b <sub>11</sub>	620 mm
Depth inside [mm]	c <sub>1</sub>	420 mm
Depth incl. waste hole [mm]	c <sub>2</sub>	445 mm
Height of rim [mm]	c <sub>3</sub>	50 mm
Overall height with panel [mm]	c <sub>9</sub>	590 mm
Width of rim (foot end; long side) [mm]	e <sub>1</sub> ; e <sub>2</sub>	80; 80 mm
Distance top edge to centre of overflow hole [mm]	f <sub>1</sub>	70 mm
Distance bath edge to centre of waste hole [mm]	f <sub>2</sub>	950 mm
Distance centre of waste hole to centre of overflow hole [mm]	f <sub>7</sub>	360 mm
Diameter of overflow hole [mm]	f <sub>8</sub>	Ø 52 mm
Diameter of waste hole [mm]	f <sub>9</sub>	Ø 90 mm
Distance bath edge (foot end) to start of grip [mm]	g <sub>1</sub>	802 mm
Distance bath edge (foot end) to end of grip [mm]	g <sub>2</sub>	1098 mm
Distance foot end of bath edge to centre of foot [mm]	h <sub>2</sub>	570 mm
Distance between the feet [mm]	h <sub>4</sub>	760 mm
Width of feet max. [mm]	h <sub>6</sub>	610 mm
External radius [mm]	r <sub>1</sub>	23 mm
Water volume [l]		220 l
Net weight [kg]		100 kg
Anti-slip		500 x 500 mm
Full anti-slip		980 x 500 mm

Subject to technical alterations, tolerances and errors. Similar illustration. 70 litres displacement on average.

**KALDEWEI**